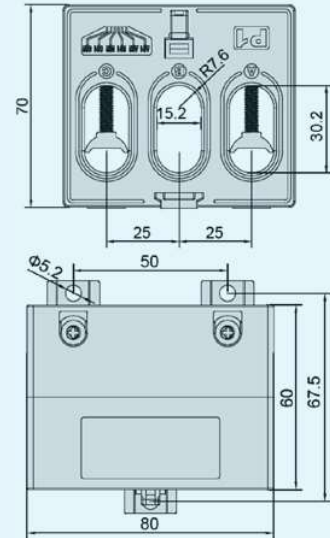


RJ325



- Class 0.5 Accuracy
- 100mA Secondary
- RJ12 Connector Output
- 25mm Centres
- 60-200A Primary current options
- Tamper proof clip for RJ12 connection

Model	Rated Amp	Output	Burden	
			Class 0.5	Class 1.0
ESCT-RJ325	60A	100mA	0.25	1
ESCT-RJ325	100A	100mA	0.25	1
ESCT-RJ325	120A	100mA	0.25	1.5
ESCT-RJ325	125A	100mA	0.25	1.5
ESCT-RJ325	150A	100mA	0.25	2.5
ESCT-RJ325	160A	100mA	0.25	2.5
ESCT-RJ325	200A	100mA	0.25	2.5

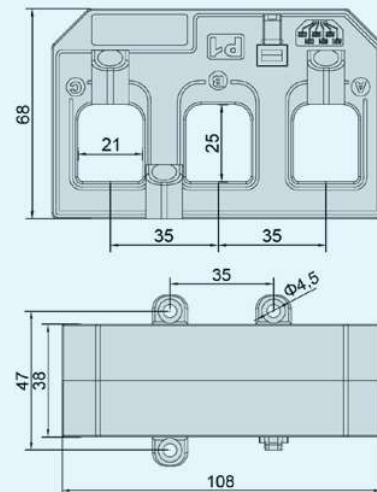


RJ335



- Class 0.5 Accuracy
- 100mA Secondary
- RJ12 Connector Output
- 35mm Centres
- 60-250A Primary current options
- Tamper proof clip for RJ12 connection

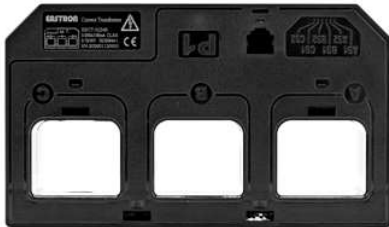
Model	Rated Amp	Output	Burden	
			Class 0.5	Class 1.0
ESCT-RJ335	63A	100mA	0.25	0.25
ESCT-RJ335	125A	100mA	0.25	0.5
ESCT-RJ335	150A	100mA	0.25	0.5
ESCT-RJ335	200A	100mA	0.25	0.5
ESCT-RJ335	250A	100mA	0.25	0.5



For more information on these products, please contact our sales team on 0203 758 3494 or email sales@eastroneurope.com

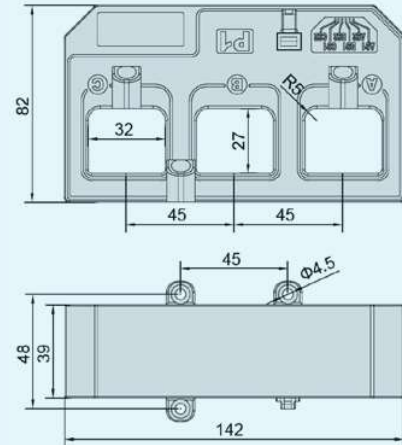
www.eastroneurope.com

RJ345



- Class 0.5 Accuracy
- 100mA Secondary
- RJ12 Connector Output
- 45mm Centres
- 250-630A Primary current options
- Tamper proof clip for RJ12 connection

Model	Rated Amp	Output	Burden	
			Class 0.5	Class 1.0
ESCT-RJ345	250A	100mA	0.25	0.5
ESCT-RJ345	300A	100mA	0.25	0.5
ESCT-RJ345	400A	100mA	0.25	0.5
ESCT-RJ345	500A	100mA	0.25	0.5
ESCT-RJ345	600A	100mA	0.25	0.5
ESCT-RJ345	630A	100mA	0.25	0.5



RJ370



- Class 0.5 Accuracy
- 100mA Secondary
- RJ12 Connector Output
- 70mm Centres
- 600-1600A Primary current options
- Tamper proof clip for RJ12 connection

Model	Rated Amp	Output	Burden	
			Class 0.5	Class 1.0
ESCT-RJ370	600A	100mA	0.25	3.75
ESCT-RJ370	630A	100mA	0.25	3.75
ESCT-RJ370	800A	100mA	0.25	5
ESCT-RJ370	1000A	100mA	0.25	5
ESCT-RJ370	1200A	100mA	0.25	7.5
ESCT-RJ370	1600A	100mA	0.25	7.5

